



Premix Tanks

Pre-Mix Tanks

- 1-Skid 51'9" long by 10' 6" wide.
 - Skid built with 3: 10" x 6" tubing and reinforced with 4 @ 5.4 lbs channel c/w pull pipe and teardrops.
- 1-10' by 12' shack which contains, space for engine, Bean hopper c/w tool box, three doors.
 - Roof is 1/4" checker plate with hand rail and toe kick.
- 1-400 BBL mud tank separated into 2 – 200 BBL compartments by 1 baffles.
 - Tank is complete with steps, walkway, guard rail and toe kick.
- Tanks are covered with 1-1/4" x 3/16" serrated grating.
- 1-10" Mud suction line c/w 2 suction (1 per compartment)
- 1-6" Mud run c/w 4 mud guns (2 per compartment)
- 4-3" Mud guns c/w high-pressure swivels, valves and hammer unions
- 6-4" inlet/outlet pipe c/w valve.
- 1-2" Steam coil c/w hammer unions
- 3-6' 2" ladders into tank c/w hinged grating over top.
- 2-Light standards.
- 1-Set of stairs



Sales Office

990, 630 - 6th Avenue SW • Calgary, Alberta, Canada • T2P 0S8
Tel: 403.266.4556 • Fax: 403.269.9445 • E-mail: sales@uic.ca
www.uic.ca



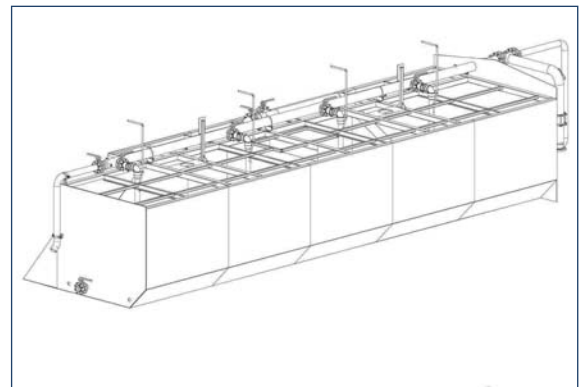
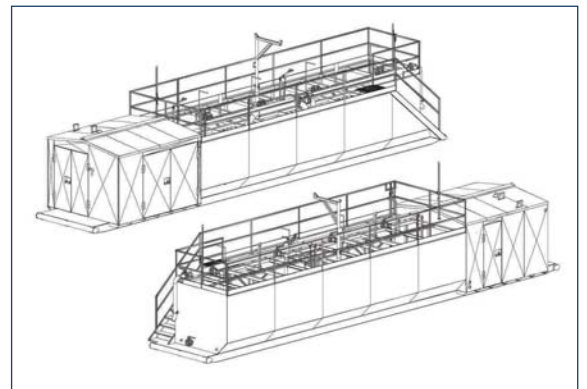
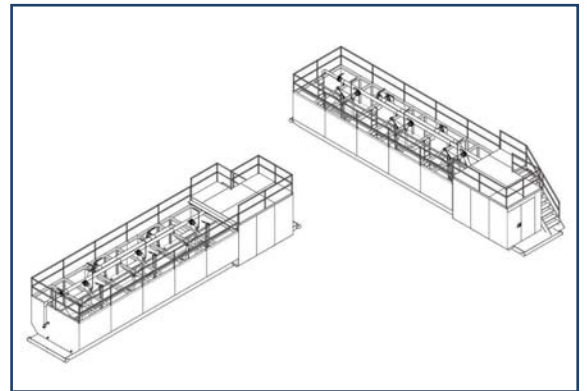
Premix Tanks

Pre-Mix Exterior Options

- Endura, Cloverdale or Devoe
- Devtar 5A, Clovertar epoxy base skid sealer
- Company logo & tank numbers in 7 year vinyl
- Safety decals
- 4" tank hooks c/w cam-lock both ends
- Explosion proof Lighting

Pump Room Options

- 60HP electric Motor c/w Mission 5 x 6 x mud pump c/w 11" impeller
- 10HP 1750RPM Electric Agitator motors c/w 2 – Agitators shafts and blades
- Bean hopper with Venturi.
- 10KW Rough neck heater mounted off wall
- Explosion proof Lighting
- Electrical hook up, agitators, 60HP motor, rough neck, lights inside and out



Sales Office

990, 630 - 6th Avenue SW • Calgary, Alberta, Canada • T2P 0S8
Tel: 403.266.4556 • Fax: 403.269.9445 • E-mail: sales@uic.ca
www.uic.ca